

RISH Max-14 Analog-Digital Multimeter

Data Sheet

RISH Max-14 Analog-Digital Multimeter



RISH Max-14

Analog-Digital Multimeter

- Input resistance can be selected for voltage measurements.
- Direct and alternating voltages from 400mV ... 600V.
- Direct and alternating currents from 40mA ... 10A.
- Resistance from 400Ω ... 40MΩ .
- Capacitance from 4nF ... 40μF with relative operation.
- Frequencies from 10Hz to 400KHz.
- Diode measurement and continuity testing.
- MIN, MAX and Hold measurement storage.

Application

RISH max digital multimeters are suited for universal, general applications in the electrical and electronics fields, as well as in radio and television service, training and education.

They are of especially flat design, and thus fit into any bag. The protective cover, which is provided as standard accessory, can be opened at an angle for convenient reading from the workbench, and provides for easy transport.

• Selection of input resistance for voltage measurement

In addition to the usual voltage input with one resistance value of 10 MΩ , which is selected via ~ or V=, this measuring instrument provides the electrician with an additional selector switch position for $V_{400k\Omega}$ with an input resistance of approx. 400 kΩ . This allows for the avoidance of negative influences from capacitive coupling during voltage measurements in power supply systems.

• Effective value for distorted waveform

The built-in effective value transducer allows for effective value measurement (TRMS) independent of waveform for alternating magnitudes (AC).

• Hold

By pressing the HOLD/ON key, the currently displayed measurement value can be held and "HOLD" is simultaneously displayed.

• Min/Max

The minimum and maximum values which were present at the input of the measuring instrument after activation of the MIN MAX mode can be selectively 'retained' with the MIN MAX function. The most important application is the determination of the minimum or maximum value during long term observation of measurement quantities. MIN/MAX has no effect on the analog display; it continues to display the current measurement value.

• Automatic/manual measuring range selection

The measurement quantities are chosen with the rotary selector switch. The measuring range is automatically adjusted to the measurement value. The measuring range can also be manually selected with the AUTO/MAN button.

• Diode and continuity testing

This provides for the testing of the polarity of diodes, as well as inspection for short-circuits and circuit interruptions. In addition to the display, resistance of less than 40 Ω are indicated with an acoustic signal.

• Overload warning

An acoustic signal occurs, if the range limit value is exceeded.

• Energy saving circuit

The instrument is switched off automatically, if none of the operating elements have been activated for about 30 minutes.

• Protective cover for rough operating conditions

A protective cover of ABS with a built-in stand protects the instrument against jolts and falls. It also secures the test probes for one-hand operation, and allows for winding of the measurement cable which provides protection during transport.

• Calibration

Rish max series multimeters are calibrated using Fluke 5500 & Wavetek 9100. These sources are calibrated at regular intervals.

• Theft protection

Company name and name of the user can be entered into the field next to the display with an indelible etching needle for identification of the owner.



Rishabh Instruments

RISHABH
INSTRUMENTS
Measure, Control & Record with a Difference

RISHABH INSTRUMENTS PVT.LTD.
F-31, MIDC, Satpur, Nashik-422 007, India.
Tel.: +91 253 2202160, 2202202 Fax : +91 253 2351064
E-mail : India :- marketing@rishabh.co.in
International :- exp.marketing@rishabh.co.in
www.rishabh.co.in

RISH Max-14 Analog-Digital Multimeter

Characteristic values for Rish Max 14

Meas. Function	Measuring Range	Resolution	Input Impedance 100 pF//XΩ		Digital display inherent deviation at reference condition ±(...% of rdg. + ...digits)	Overload capacity ¹⁾				
			V $\overline{\overline{}}$ / ~	V _{400KΩ}		Overload value	Overload Duration			
V $\overline{\overline{}}$	400.0mV	100μV	>20MΩ	~400KΩ	0.75+2	720V $\overline{\overline{}}$	Continuous			
	4.000V	1mV	11MΩ	~400KΩ	0.5+2					
	40.00V	10mV	10MΩ	~400KΩ						
	400.0V	100mV	10MΩ	~400KΩ						
V $\overline{\overline{}}$ _{400KΩ}	600V	1V	10MΩ	~400KΩ						
V \sim	400.0mV ²⁾	100μV	>20MΩ	~400KΩ	1.5+5 ³⁾	720V \sim effective sine	Continuous			
	4.000V ²⁾	1mV	11MΩ	~400KΩ	1+5 ³⁾					
	40.00V ²⁾	10mV	10MΩ	~400KΩ						
	400.0V ²⁾	100mV	10MΩ	~400KΩ						
V \sim _{400KΩ}	600V ²⁾	1V	10MΩ	~400KΩ	1+10 ³⁾					
			Approx. voltage drop at max. meas. current							
A $\overline{\overline{}}$	40.00mA	10μA	450mV		0.8+2	480mA	Continuous			
	400.0mA	100μA	1.5V							
	10.00A ⁶⁾	10mA	750mV					1.5+5	6)	6)
A \sim	40.0mA ²⁾	10μA	450mV		1+5 ³⁾	480mA	Continuous			
	400.0mA ²⁾	100μA	1.5V							
	10.00A ⁶⁾²⁾	10mA	750mV					2+5 ³⁾	6)	6)
			Open - circuit voltage							
Ω	400.0Ω	100mΩ	approx. 0.5V		0.8+5	420 V DC/AC effective sine	10 min			
	4.000KΩ	1Ω			0.8+2					
	40.00KΩ	10Ω			1+5					
	400.0KΩ	100Ω			2+5					
	4000KΩ	1KΩ								
	40.00MΩ	10KΩ								
BUZZER	400.0Ω	100mΩ			Acoustic signal for 0... < 40Ω					
DIODE	3.000V	1mV	approx. 3V		2+10					
F	4.000nF	1pF			3+40 ⁴⁾	420 V DC/AC effective sine	10 min			
	40.00nF	10pF			3+10 ⁴⁾					
	400.0nF	100pF			3+10					
	4.000μF	1nF								
	40.00μF	10nF			5+10					
			fmin							
Hz ⁵⁾	100.00Hz	0.01Hz	10Hz		0.2+2	≤1KHz : 600V ≤10KHz : 400V ≤400KHz : 40V	Continuous			
	1.0000KHz	0.1Hz	10Hz							
	10.000KHz	1Hz	10Hz							
	100.00KHz	10Hz	10Hz							
	400.0KHz	100Hz	100Hz							

- 1) At 0°C ... + 40 °C
- 2) Effective value measurement (TRMS) for RISH Max 14 TRMS measurement is independent of waveform.
- 3) The specified inherent deviation is valid for RISH Max 14 from an indication of '0200'
- 4) With zero adjustment 'REL'; without zero adjustment +300 digits in 4nF range +30 digits in 40nF range
- 5) Indication of the frequency measurement expanded up to 9999 digits.
- 6) max. 10 A/30 min
12 A/5 min
16 A/30 sec

Applicable regulations and standards

IEC 1010-1 DIN EN 61010 Part 1 VDE 0411 - 1	Safety regulations for electrical measuring, control, regulation and laboratory devices
DIN 43751 IS 13875	Digital measuring instruments Digital measuring instruments
DIN EN 50081 Part 1	Generic emission standard residential, commercial and light industry
DIN EN 50082 Part 1	Generic immunity standard residential, commercial and light industry
VDI/VDE 3540	Reliability of measuring, control and regulation instruments
DIN EN 60529 DIN VDE 0470 Part 1	Test instruments and test procedures Degree of protection provided by enclosures (IP code)

Page 3 of 5



RISHABH
INSTRUMENTS
Measure, Control & Record with a Difference

RISHABH INSTRUMENTS PVT.LTD.
F-31, MIDC, Satpur, Nashik-422 007, India.
Tel.: +91 253 2202160, 2202202 Fax : +91 253 2351064
E-mail : India :- marketing@rishabh.co.in
International :- exp.marketing@rishabh.co.in
www.rishabh.co.in

RISH Max-14 Analog-Digital Multimeter

Reference Conditions

Ambient temperature	+ 23 °C ± 2 K
Relative humidity	45 % ... 55 %
Frequency of meas. quantity	Sine 50 Hz
Operating voltage	8 V ± 0.1 V

Display

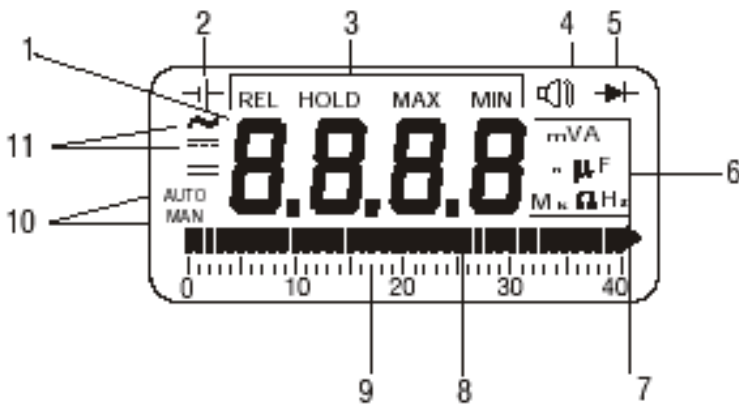
LCD display field (50 mm x 30 mm) with analog and digital display and with display of measurement unit, type of current and various special functions.

Digital

Display	7 segment
Character height	10 mm
Number of digits	3 3/4 digit ≅ 3999 steps
Overflow display	,4000' with blinking ,4'
Polarity display	,-' sign is displayed when plus pole at ,L'
Measurement rate	3 measurement/s for V, I, Ω. 1 measurement/s for capacitive and frequency measurements.

Analog

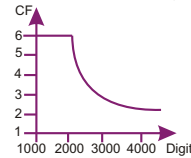
Display	LCD scale with bar graph display
Scale length	40 mm
Scaling	0...40 with 40 scale division
Polarity display	with automatic reversal
Overflow display	Bar with triangle
Measurement rate	20 measurement/s



RISH Max display :

- Digital display with comma and polarity display
- Low Battery Indication
- Display for REL and HOLD as well MIN MAX storage
- Continuity test display: speaker symbol appears when acoustic signal is switched on
- Display for diode measurement
- Measurement unit display
- Display for exceeding of measuring range
- Indicator for analog display
- Scale for analog display
- Display for automatic or manual measuring range selection
- Display for selected type of current (AC or DC)

Influence variables and effects

Influence variable	Influence range	Meas. Quantity / Meas. Range	Influence Effect	
Temperature	0 °C ... +21 °C and +25 °C ... +40 °C	V ∴	0.1 x intrinsic error / K	
		V ∼		
		A ∴		
		A ∼		
		Ω		
		F		
		Hz		
Waveform	Crest factor CF	1 ... 1.4	4, 40, 400V, mA, A ²)	± 1% of rdg.
		> 1.4 ... 5		± 5% of rdg.
Measuring Magnitude Waveform 1)	The allowable crest factor CF of the alternating magnitude to be measured is dependent upon the displayed value: 			

- For unknown waveform (crest factor CF > 2) measurement to be made with manual range selection
- Except for sine waveform

Influence variable	Influence range (max. resolution)	Frequency	Inherent Error at Ref. (...%rdg + ...digits)
Frequency V _{AC}	4, 40, 400V	20Hz ... <50Hz >50Hz ... 500Hz	2 + 3
	400mV, 600V	20Hz ... <50Hz >50Hz ... 100Hz	2 + 3

Influence Variable	Influence Range	Meas. Quantity / Meas. Range	Influence Effect
Relative humidity	55 ... 75%	V ∴	1 x Inherent error
		A ∴	
		Ω	
		F	

Influence Variable	Interference Magnitude	Meas. Quantity / Meas. Range	Attenuation
Common Mode Interference Voltage	600V DC/AC 50Hz sinusoidal	All V DC	>100 dB
	600V DC	All V DC	>100 dB
	600V AC 50Hz sinusoidal	400mV / 4V AC	>80 dB
		40V AC	>63 dB
		400V AC	>43 dB
Series - Mode Interference voltage	AC 50/60 Hz	V DC	>43 dB
	MAX. 600V DC	V AC	>55 dB

Aux. Voltage Influence (without -| display) all ranges except AC : ± 5 D
AC range : ± 20 D



RISH Max-14

Analog-Digital Multimeter

Power Supply

Battery	9 V flat cell battery Zinc-carbon cell per IEC 6 F 22 Alkaline manganese dry cell per IEC 6 LR 61
Service life	Zinc-carbon cell: approx. 150 hours Alkaline manganese dry cell approx. 300 hours
Battery test	Automatic display of „⊥ ” symbol when battery voltage falls below following value: approx. 7V

Fusing

Fuse for ranges up to 400 mA	FF 1.6 / 500 V; 6.3 mm x 32mm Breaking capacity 50 kA at 500 V ~ and non-reactive load, $\cos \varphi < 0.2$; protects all current measuring ranges up to 400 mA in connection with power diodes
Fuse for 10 A range	FF 16 A / 500 V; 6.3 mm x 32 mm breaking capacity 50 kA at 500 V ~ and non-reactive load, $\cos \varphi < 0.2$

Electrical safety

Protection class	II per IEC 1010-1/EN 61010-1/VDE 0411-1	
Overvoltage Classification	II	III
Nominal voltage	600 V	300 V
Contamination level	2	2
Test voltage	3.7 kV ~IEC 1010-1/EN 61010-1 VDE 0411-1	

Electromagnetic Compatibility

Interference emission	EN 50081-1: 1992 EN 55022: 1987 class B
Interference immunity 10 A range	EN 50082-1 : 1992 EN 61000-4-2:8kV air discharge EN 61000-4-3: 3 V/m EN 61000-4-4; 0.5 kV

Ambient Conditions

Operating temperature range	-10 °C ... + 50 °C
Storage temperature range	- 25 °C ... + 70 °C (without batteries)
Climate classification	2z/-10/50/70/75% in correspondence with VDI/VDE 3540
Relative humidity	45 ... 75 %
Elevation	up to 2000 m

Mechanical Design

Protection	Instruments: IP 50 Connector sockets: IP 20
Dimensions	W x H x D: 92 mm x 154 mm x 25 mm
Weight	Approx. 0.2 Kg with battery

Included equipment

- 1 Multimeter
- 1 Probe set
- 1 Copy Operating Instructions
- 1 Protective Case with tilt stand

Designation	Order Code
Analog-Digital multimeter with TRMS	33050
RISH Max Fuse 1.6A	42124
RISH Max Fuse 16A	42198
RISH Max Probe Set	42199
Safety cover RISHmax 14	42200

