

## KINGSINE PMC200 Multifunctional Power Meter



Cost-effective, easy use & installation! Widely used for power management system! Substation automation, distribution network, intelligent building, intelligent switchboard!

### Introduction

PMC200 Multifunctional Power Meter is widely used for energy management system, substation automation, distribution network automation, subdistrict power distribution, industrial automation, intelligent building, intelligent switchboard, switch cabinet, etc. It integrates the digitization, intellectualization and networking together, to replace the traditional equipments such as electric

quantity transducer, numeric display instrument, data acquisition unit and recorder analyzer, etc. The multi-purpose lows the cost, and the simple wire connection simplifies the testing.

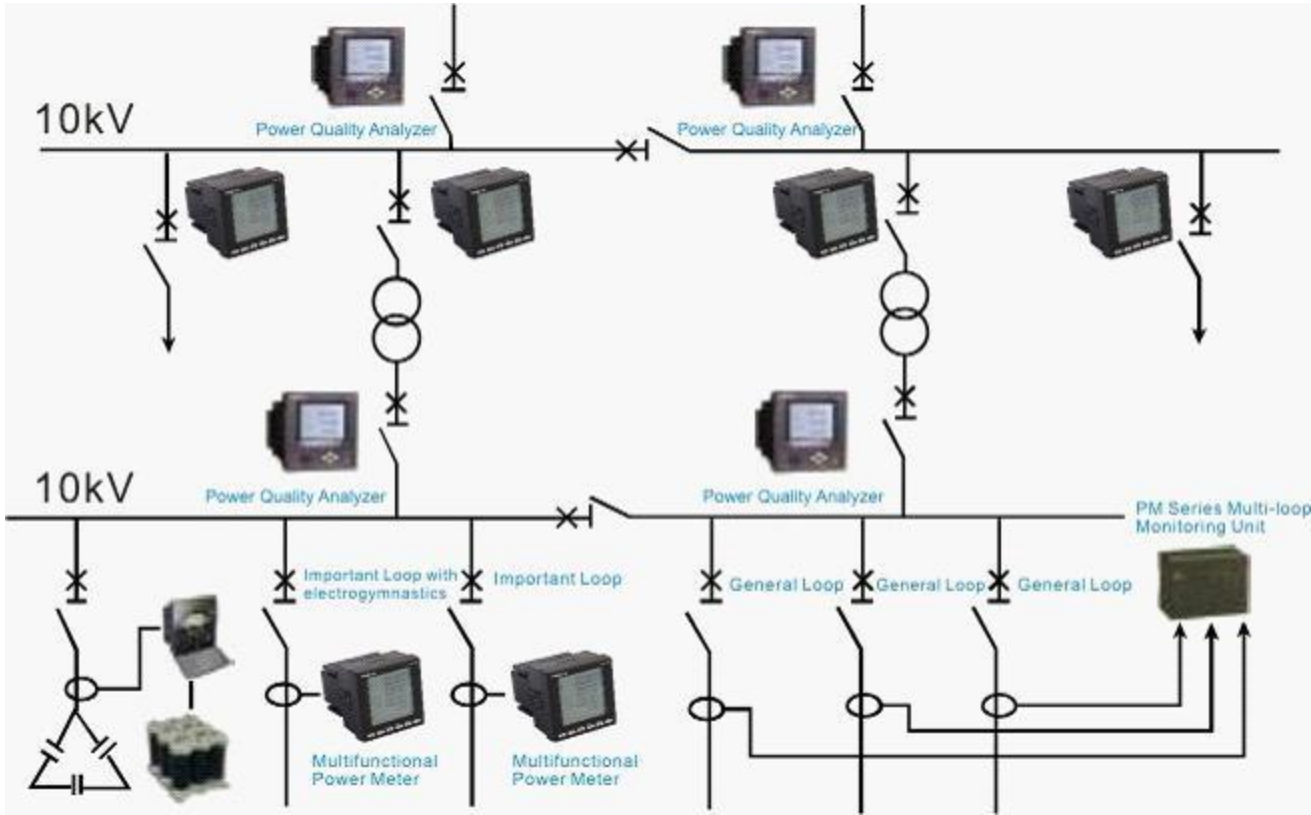
Standard: DL/T721 - 2000		
Accuracy class	Voltage and current	Class 0.2
	Power	Class 0.5
	Active electrical degree	Class 1
Input voltage characteristic	Range	100V, 200V, 400V (optional)
	Impedance	2MΩ (L-L), 1MΩ (L-N)
	Allowed overload capacity	1.2 times/ continuous
Input current characteristic	Range:	1A, 5A (optional)
	Impedance:	<0.1Ω
	Allowed overload capacity:	1.2 times/ continuous, 10 times/1 second
Contact capacity of relay	220VAC/5A, 30VDC/5A	
Communications interface	RS485, baudrate optional, Max. 19200bps	
Communication protocol	MODBUS RTU	
Electromagnetic compatibility	Conforms to Class IECⅢ	
Insulation resistance	> 50MΩ	
Power frequency withstand voltage	AC2kV/1min	
Whole power	<5VA	
Power supply	90 to 260VAC/DC	
Working temperature	-20℃ ~ +70 ℃	
Dimensions	96x96x72 (mm), 96x96x120(mm)(with expanding module)	
Weight	0.5 kg	

PMC200 Power Parameter Tester

**Functions and Features**

Parameter Measurement	Power Quality
Current / Voltage	Harmonic Distortion / 31 times Harmonic Analysis
Active/Reactive/Apparent Power	Current and Voltage / Current and Voltage
Power Factor / Frequency	Communication Protocol
Phase and Neutral Line	RS485/MODBUS

Wire Line and Phase Line 3 Phases and Single Phase 3 Phases and Single Phase	Display STN LCD Display with big screen / Real-Time Clock Year/Month/ Day/Hour/Minute/Second
Energy Measurement	Others
Input/Output Active Energy Input/Output Reactive Energy Apparent Energy 1 Channel Pulse Output 1 Channel Pulse Output	Update on-line Remote Communication Input Module 8 Channels Remote Communication Input Resolution of State Variable Time: up to 1 ms 100 SOE Events Log
Demand Statistics	Relay Output Module
Current Active/Reactive/Apparent Power Current Value and Max. Current Value and Max.	4 Channels Relay Output Programmable Alarm Setting of exceeding the limit Remote Control
Restoration Rate	Analog Input and Output Module
8 Restoration Stages; 4 Restoration Rate can be set	1 Channel Analog Input Measurement for 4-20mA DC
Maximum and Minimum	1 Channel Analog Input Measurement for 0-5V DC 2 Channels Analog Output for 4-20mA DC
Record the maximum, minimum and time of all measurement parameters	Communication Module
Event Log	a)RS232 Communication Module b)Profibus-DP Communication Module c)TCP/IP Ethernet Expansion Module
100 SOE Events Log / Time Resolution: up to 1 ms	



Tag : Multifunctional Power Meter, Power Meter, smart power meter

