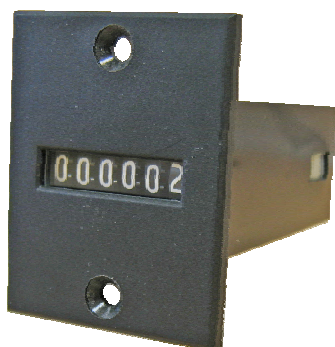


Pulse counter

SI-62



Highlights

- price competitive counter
- heavy duty
- 6-digit totalizer

Applications

- general event counting

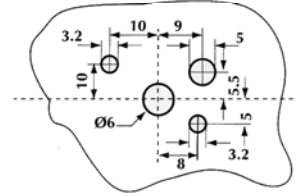
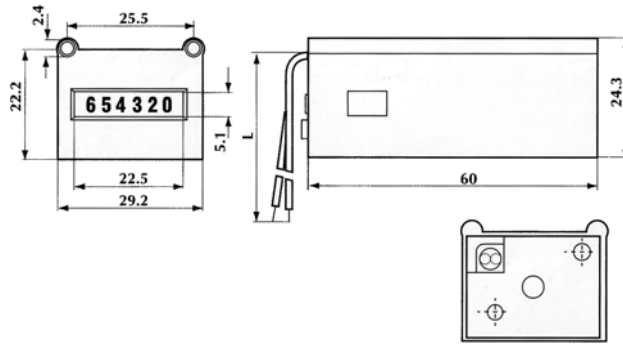
Mechanical data		Electrical data	
Counting	adding without reset	Operating voltage	6, 12, 24, 48, 110, 230 V AC \pm 10% 6, 12, 24, 48, 110 V DC \pm 10%
Display	6 digit	Power consumption	1,2 W at 6-110 V 4 W at 230 V AC
Digit height	4 mm	Pulse duration	50 ms
Digit color	white on black	Pulse interval	50 ms
Housing	plastic black	Max. counting speed	10 pulses/sec
Operating life	20 x 10 ⁶ pulses	Cycle duration factor	100% (max. 20 sec at 230 V AC)
Weight	ca. 60 g	Connection	wire leads ca. 120 mm
Mounting versions	different		
Ambient conditions			
Operating temperature	-10 ^o C .. +55 ^o C	Protection	IP31
Storage temperature	-20 ^o C .. +70 ^o C	Relative humidity	max. 80% at +25 ^o C

Ordering

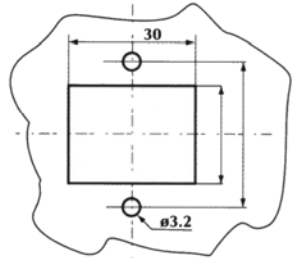
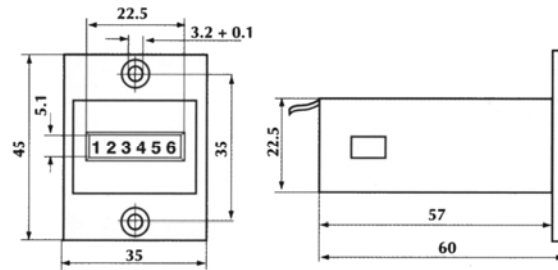
Model	Mounting version
SI-62.0	rear or front screw mount
SI-62.2	2-screw panel mount
SI-62.3	behind the panel mount
SI-62.4	base mount

*voltage to be specified

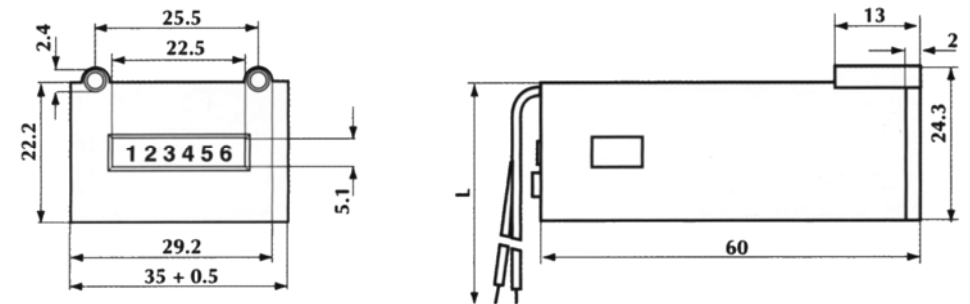
Pulse counter



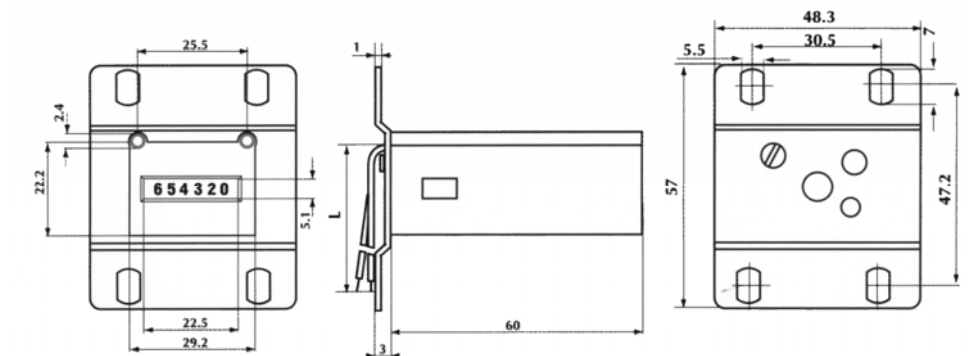
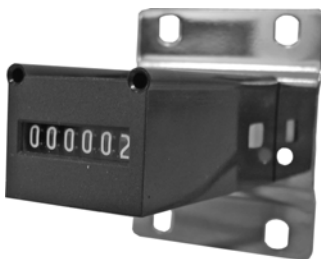
SI-62.0



SI-62.2



SI-62.3



SI-62.4